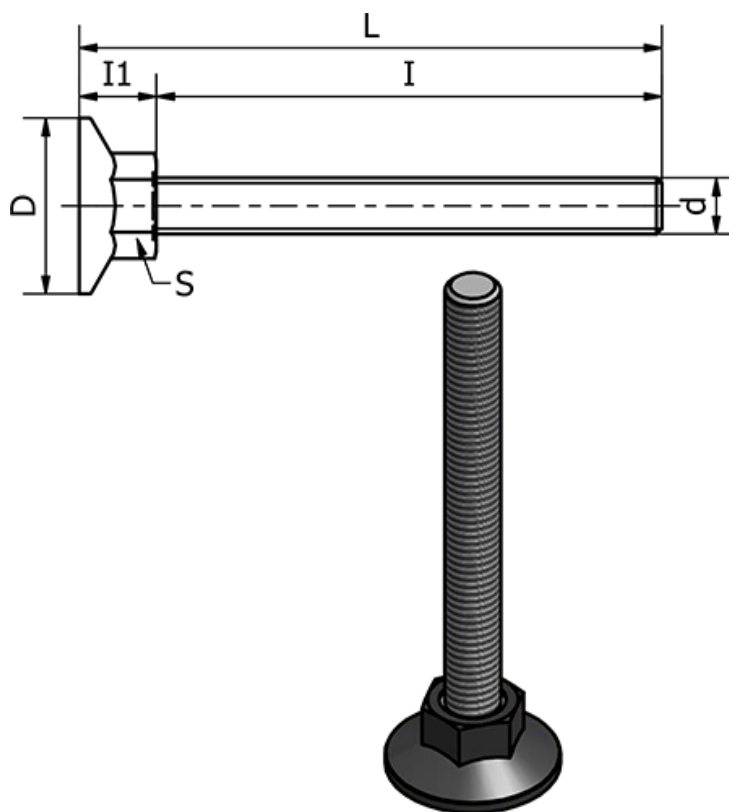


Article number: 2310431057S

Description: E+G Levelling elements  
LX.30-SW17-M8X18-S

## Measures



d = M8

D = 30

I = 18

I1 = 12

L = 30

S = 17

Static load in (N) = 2500

Type = Forzinket

Weight (g) = -